

## INSTALLATION INSTRUCTIONS

Pool roofing installation can be carried out by an average skilled user. Installation should be performed at least by two people.

It is preferable to carry out the installation of roofing / cover outside the pool area (destination). You can easily assemble construction, fix and stretch the foil from the inner side. Three people can easily move the roofing in the open state to the destination – two at articulated hinges and one in the middle (top of the roofing).

For installation you need spanners no. 13 and no. 11, which are not part of delivery.

Do not carry out installation in windy weather.

### Step 1

Fasten the hinge segment to the ground so that threads of the hinge thorns are directed to the pool. The loose end of the segment (not attached to the ground) will be directed to the side from which you will open the cover. To fix the hinge mechanism use dowels or at least attached spikes according to the nature of the ground.

### Step 2

Fasten the second hinge segment to the ground in the same way as the first one at a distance from the first segment, which corresponds to the diameter of your roofing.

### Step 3

The roofing consists of eleven arches. Tubes to assemble each arch are packed separately. Assemble arches gradually, sliding tapered ends together until they snap into place. The first and the last arch (those, when the cover is closed, lie on the ground) are made of thicker tubes.

### Step 4

Fit plastic plugs into the ends of all arches. Fit each end of the arches gradually on the screws of the hinge segment so that a plastic ring (washer) goes the first and then slip the arch, and then secure a metal washer by a nut, which will be lightly tightened.

When the arches are assembled leave them lying on each other (crescent-shaped).

### Step 5

Outside the roofing unfold the covering around the assembled arches and fasten it gradually by velcro straps to individual arches. Do not fasten velcro straps on the ends (at hinged segments) yet.

### Step 6

Before gradually closing the roofing, make sure that the covering is evenly stretched on individual arches. Wrinkles mustn't be formed diagonally across the arches. When closing the roofing pull down the covering towards the hinge segments. Fasten the last velcro straps.

### Step 7

Triangular rubber grips serve to fix the attached rubber ropes that are to secure the cover/roofing against adverse weather conditions outside the period of use of the pool.

To stretch rubber ropes you can use the supplied anchors or other handles, which you fix tightly to the surface or the ground under the sewn triangular handles.

## Operating instructions, assembly instructions and warranty conditions



## TROPIKO® pool roofing

TROPIKO pool roofing is intended for lightweight roofing of circular pools with the diameter up to 5 meters depending on the roofing size. Roofing can be fully opened and left open for the whole time of swimming.

Roofing is used as a seasonal cover of pools or other spaces. Roofing mainly has the following functions::

- ✓ reduces the heat loss of pool water during the colder period (e.g. at night),
- ✓ reduces pollution of pool water (e.g. fall of airborne dirt and rainwater),
- ✓ protects against adverse weather conditions.



### **Czech product**

Construction of TROPIKO pool roofing consists of formed aluminium tubes with eloxal coating. A special clear polished foil resistant to UV radiation is stretched over the construction. Protective stripes of blue polyester with water repellent finished are stitched to the lower edges of the cladding. One-sided opening is solved by a unique hinged segment.

Roofing is produced in the Czech Republic...

[www.tropiko.eu](http://www.tropiko.eu)

Výhradní prodejce výrobku: Systemia s.r.o., Smetanova 131, 250 82 Úvaly, Česká republika

### **Size selection**

If you are going to install our roofing over an inground pool, always select the roofing diameter larger at least by 50 cm.

In case of semi inground or free standing pools always be aware of the fact that the roofing is round and tapers upwards. In this case the roofing diameter has to be sufficiently larger.

Do not forget the space for skimmer and wiring or the space for filtration.

Comparative table of roofing sizes according to the pool diameter and its height ...

[www.tropiko.eu](http://www.tropiko.eu)

### **TROPIKO pool roofing**

Diameter / cm	Height / cm	Weight / kg	for inground pools with the diameter up to / cm
360	180	30	310
420	210	35	370
500	250	42	450
550	275	55	500

Packaging: Cardboard box 190 cm x 50 cm x 30 cm.

## OPERATING INSTRUCTIONS

### Handling the Roofing

If you do not use the pool area, do not leave your roofing open and in an unlocked position. Roofing can only be closed and anchored. Leaving it in the open position can be dangerous. When swimming in the pool the roofing has to be uncovered to ensure supply of fresh air. After leaving the pool close the roofing and use rubber ropes to secure it against wind. Before leaving the pool always check the roofing if it is closed and anchored to the ground.

Use only final positions of the roofing - either fully open or fully closed and secured. Leaving the roofing in any intermediate position can be dangerous and can cause damage.

**Avoid cleaning the blanket with chemical products!** When caring for your pool water use only **pool chemicals** intended for this purpose. The use of other products for water treatment or cleaning of the blanket can have a negative impact on the life of the roofing blanket.

### Anchoring of the roofing against wind

The gap between the lower edge of the roofing and the surrounding ground should be as small as possible (max. 5 cm) to reduce the risk of blowing under the roofing followed by blowing it down by the wind.

It is important not to underestimate anchoring of the roofing against wind. Anchoring feet have to be firmly embedded in the ground. Well done anchoring is resistant to commonly occurring winds. Extremely strong winds, e.g. hurricane, may damage the roofing. Before the arrival of strong winds we recommend to fold the roofing and tuck it away. If necessary you can disconnect the roofing from anchors and carry it away.

### Maintenance and Winterizing

Covering materials should be kept clean. When cleaning, use common detergents and lukewarm water, do not use chlorine-based products. We recommend lubricating rotary joints with silicone oil before and after the swimming season.

It is not recommended to use the roofing in winter when the pool area is not used. Frost and ice reduce the life of materials the roofing is manufactured from. In winter avoid handling with the roofing elements. The plastic material becomes brittle and susceptible to damage.

Outside the swimming season you can leave the roofing closed. Winter months are exception because the snow cover and ice coating inside formed by condensation of vapour from the pool could cause by its load mechanical damage to the aluminium construction of the entire roofing.

**In winter (especially from November to March) keep your roofing always open!**

Tie the opened roofing together by rubber ropes and fix the construction to the ground.

Particularly load of snow and ice inside may cause damage to the roofing.

**When building the roofing follow the installation instructions.**

*Note: The manufacturer reserves the right to make changes and modifications without obligation to update this manual.*

### Safety Instructions:

- Use the product only for the purpose for which it is intended.
- Hinge mechanism must be firmly anchored to the ground and the assembled roofing must also be fixed using rubber ropes.
- During swimming the roofing must be open. Temperature under the closed roofing tends to be relatively high, which can cause health problems of people staying in the covered area.
- Pool roofing does not serve as a safety feature to prevent persons, children or animals entering the area of the swimming pool. By no means shall the manufacturer or seller be held liable for injury due to omission of this instruction.
- It is forbidden to use open fire under the roofing for a possible fire risk.
- Do not expose the roofing ribs to additional burden. Do not hang anything on the construction. Ribs of the roofing are not intended for movement of persons, climbing, etc. The roofing construction could collapse.
- Before leaving the pool area close and secure the roofing. Leave the roofing open if you are not in the vicinity of the pool or if you are not swimming.
- In windy weather it is necessary to close the roofing and lock it against opening. It is forbidden to open the roofing in strong wind. Failure to comply with the instruction may result in property damage or personal injury.
- Before the arrival of very strong winds we recommend keeping the roofing fully open and in this position tying the ribs firmly together in several places, e.g. by rubber ropes.
- Outside the swimming season you can leave the roofing closed. Winter months are exception because the snow cover could cause by its load mechanical damage to the aluminium construction of the ribs and the entire roofing. In winter months keep your roofing always open and secured. Fix the construction to the ground by rubber ropes.

Neither the manufacturer nor the seller shall be held liable for any damage caused by failure to meet Operating Instruction..

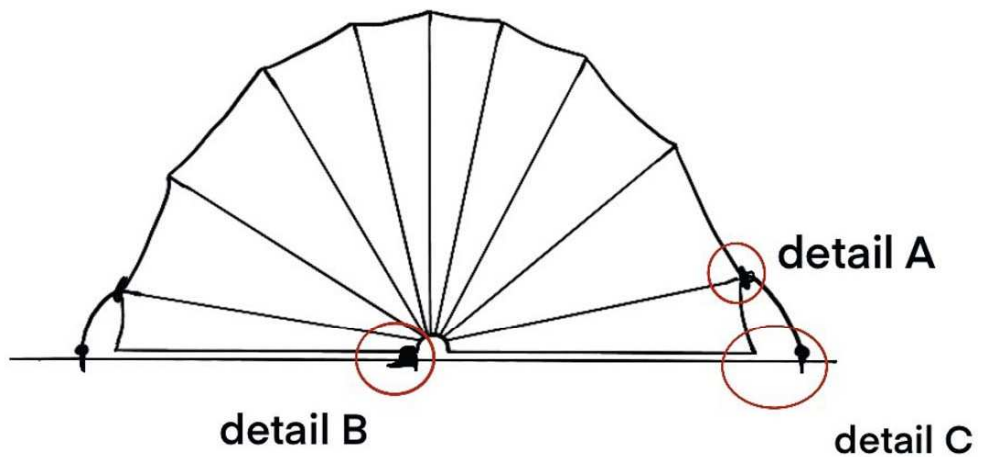


### List of components, package contents

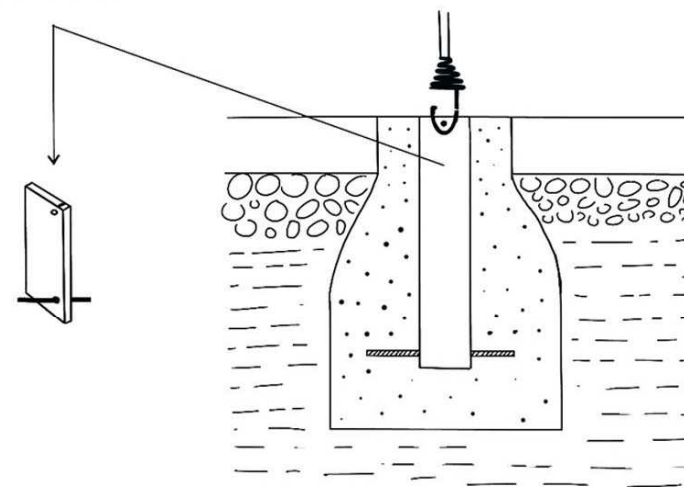
1 ks	covering blanket
11 ks	individual ribs, separately packed
22 ks	plastic washers
22 ks	metal washers
22 ks	nuts
2 ks	hinge mechanisms
2 ks	wedge pins for hinges
2 ks	rubber ropes

### WARRANTY CONDITIONS

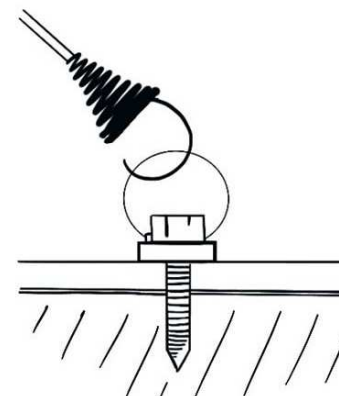
You have chosen a high quality product with a superior workmanship. TROPIKO pool roofing is carefully inspected and delivered in perfect condition. Every product is eligible for a warranty against defects on the condition that "Operating Instructions" and "Assembly Instructions" are met. A document needed to claim warranty within a period of two years is the original purchase receipt. Claims can be filed with the dealer, who also supplies all spare parts for the product. The manufacturer is responsible for removal of defects.



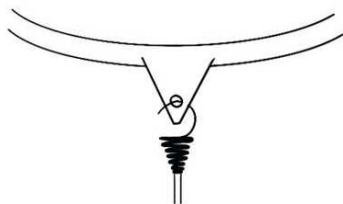
DETAIL C var. 1



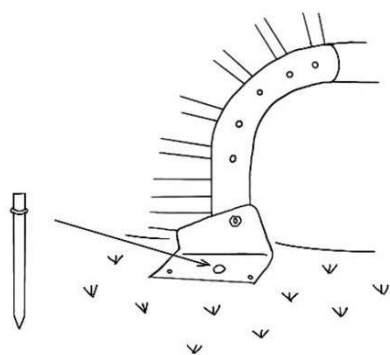
DETAIL C var. 2



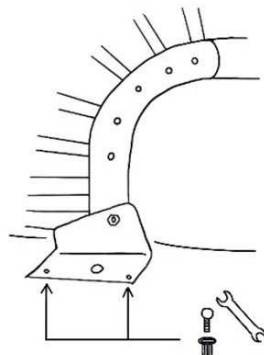
DETAIL A



DETAIL B var. 1



DETAIL B var. 2



DETAIL C var. 3

